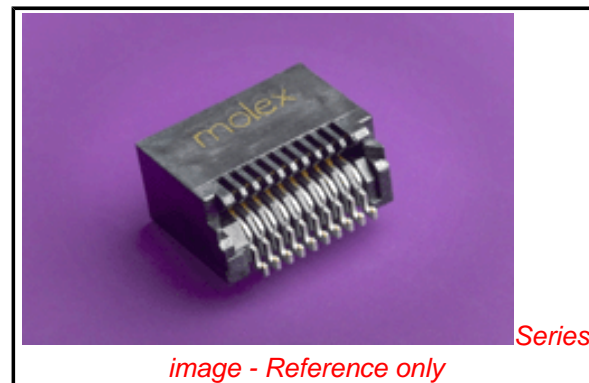


PLEASE CHECK WWW.MOLEX.COM FOR LATEST PART INFORMATION

Part Number: [0744410001](#)
Status: **Active**
Overview: [sfp_sfp host connectors](#)
Description: 0.80mm (.031") Pitch SFP, SFP Plus (SFP+) Host Connector, Z-Axis Pluggable, Right Angle, SMT, 20 Circuits, 0.38µm (15µ") Gold (Au)

Documents:

3D Model	Product Specification PS-74441-001 (PDF)
Application Specification (PDF)	RoHS Certificate of Compliance (PDF)
Drawing (PDF)	



Agency Certification

CSA	LR19980
UL	E29179

General

Product Family	I/O Connectors
Series	74441
Application	Module-to-Board
Component Type	Receptacle
Overview	sfp_sfp host connectors
Product Name	Z-Axis Pluggable
Type	N/A

Physical

Boot Color	N/A
Circuits (Loaded)	20
Circuits (maximum)	20
Circuits Detail	20
Color - Resin	Black
Durability (mating cycles max)	200
Flammability	94V-0
Gender	Receptacle
Keying to Mating Part	Yes
Lock to Mating Part	Yes
Material - Metal	High Performance Alloy (HPA)
Material - Plating Mating	Gold
Material - Plating Termination	Tin
Material - Resin	High Temperature Thermoplastic
Number of Rows	2
Orientation	Right Angle
PCB Locator	Yes
PCB Retention	Yes
Packaging Type	Embossed Tape on Reel
Panel Mount	No
Pitch - Mating Interface (in)	0.031 In
Pitch - Mating Interface (mm)	0.80 mm
Pitch - Term. Interface (in)	0.031 In
Pitch - Term. Interface (mm)	0.80 mm
Plating min: Mating (µin)	15.2
Plating min: Mating (µm)	0.38
Plating min: Termination (µin)	101.6
Plating min: Termination (µm)	2.54
Polarized to Mating Part	Yes
Polarized to PCB	No
Ports	1

EU RoHS

**ELV and RoHS
Compliant**
REACH SVHC
 Not Reviewed
**Halogen-Free
Status**
Halogen-Free

China RoHS



**Need more information on product
environmental compliance?**

Email productcompliance@molex.com
 For a multiple part number RoHS Certificate of Compliance, [click here](#)

Please visit the [Contact Us](#) section for any non-product compliance questions.

Search Parts in this Series

[74441Series](#)

Mates With

SFP Modules

Use With

EMI Shield, [73927](#) SFP Cage, [86025](#) LC Duplex Cable Assembly, Guide Frame, [73939](#) HSSDC2 Cable Assembly

Surface Mount Compatible (SMC)	Yes
Temperature Range - Operating	-40°C to +85°C
Termination Interface: Style	Surface Mount
Waterproof / Dustproof	No
Wire Size AWG	N/A

Electrical

Current - Maximum per Contact	0.5A
Grounding to Panel	Yes
Shielded	No
Voltage - Maximum	30V AC (RMS)/DC

Solder Process Data

Duration at Max. Process Temperature (seconds)	40
Lead-free Process Capability	Reflow Capable (SMT only)
Max. Cycles at Max. Process Temperature	3
Process Temperature max. C	260

Material Info

Reference - Drawing Numbers

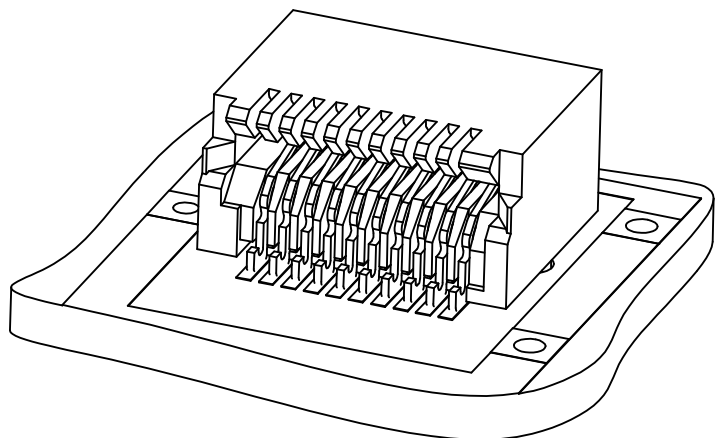
Application Specification	AS-74441-001
Product Specification	PS-74441-001
Sales Drawing	SD-74441-001, SD-74441-004
Test Summary	TS-74441-002, TS-74441-004, TS-74441-010

This document was generated on 05/19/2010

PLEASE CHECK WWW.MOLEX.COM FOR LATEST PART INFORMATION

SALES ASSEMBLY DRAWINGS FOR SMALL FORM-FACTOR AND Z AXIS PLUGGABLE CONNECTORS

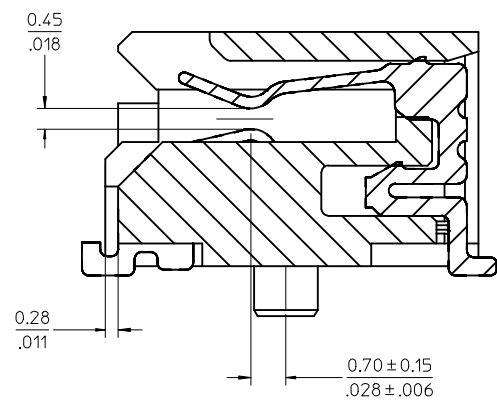
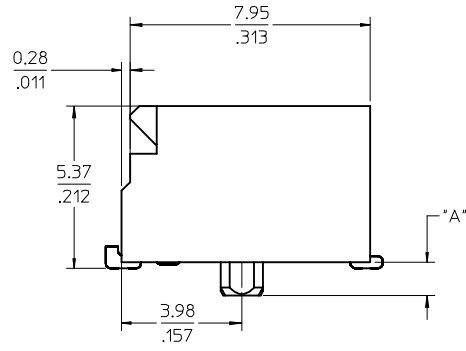
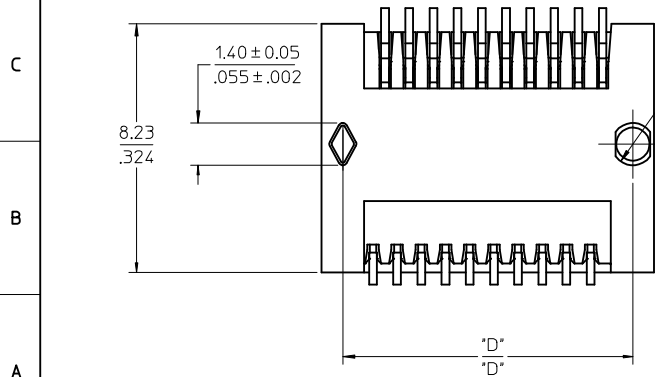
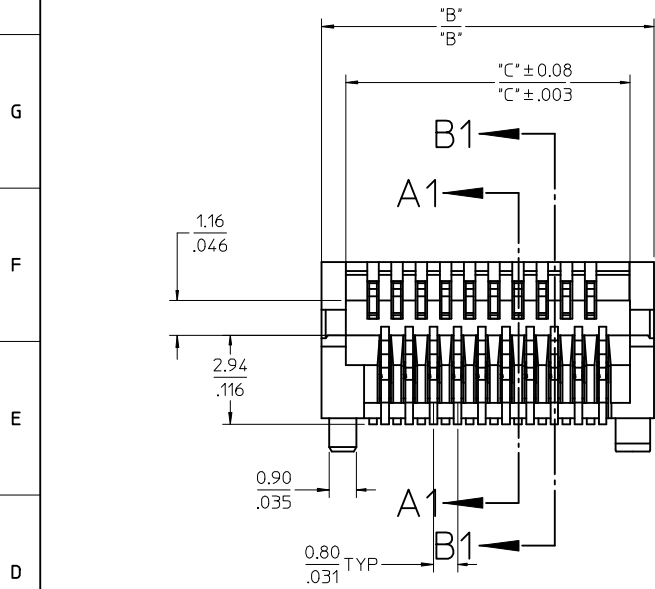
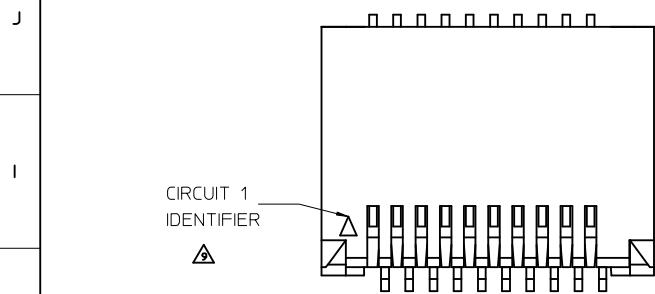
CKT SIZE	PART NUMBER	TOOLED	DESCRIPTION	"A"	"B"	"C"	"D"	MULTI-SOURCE AGREEMENT	CONNECTOR DRAWING	CIRCUIT BOARD DRAWING
20	74441-0001	YES	PLATED PER NOTE 2	1.10/.043	11.00/.433	9.40/.370	9.60/.378	SFP	PAGE 2	PAGE 3
	74441-0004	NO*	PLATED PER NOTE 2	0.76/.030						
	74441-0010	YES	PLATED PER NOTE 3	1.10/.043						
	74441-0014	NO*	PLATED PER NOTE 3	0.76/.030						
	74441-0021	YES	PLATED PER NOTE 4	1.10/.043						
	74441-0031	YES	PLATED PER NOTE 5	1.10/.043						
30	74441-0007	YES	PLATED PER NOTE 2	1.10/.043	15.00/.591	13.40/.528	13.60/.535	XFP	PAGE 2	PAGE 4
	74441-0017	YES	PLATED PER NOTE 3	1.10/.043						
	74441-0027	YES	PLATED PER NOTE 4	1.10/.043						
40	74441-0005	YES	PLATED PER NOTE 2	1.10/.043	19.00/.748	17.40/.685	17.60/.693		PAGE 2	PAGE 5
	74441-0015	YES	PLATED PER NOTE 3	1.10/.043						
	74441-0025	YES	PLATED PER NOTE 4	1.10/.043						
50	74441-0008	YES	PLATED PER NOTE 2	1.10/.043	23.00/.906	21.40/.843	21.60/.850		PAGE 2	PAGE 6
	74441-0018	YES	PLATED PER NOTE 3	1.10/.043						
	74441-0028	YES	PLATED PER NOTE 4	1.10/.043						
	74441-0038	YES	PLATED PER NOTE 5	1.10/.043						
70	74441-0003	YES	PLATED PER NOTE 2	1.10/.043	31.00/1.220	29.40/1.157	29.60/1.165	XENPAK XPAK X2	PAGE 2	PAGE 7
	74441-0013	YES	PLATED PER NOTE 3	1.10/.043						
	74441-0023	YES	PLATED PER NOTE 4	1.10/.043						
	74441-0033	YES	PLATED PER NOTE 5	1.10/.043						



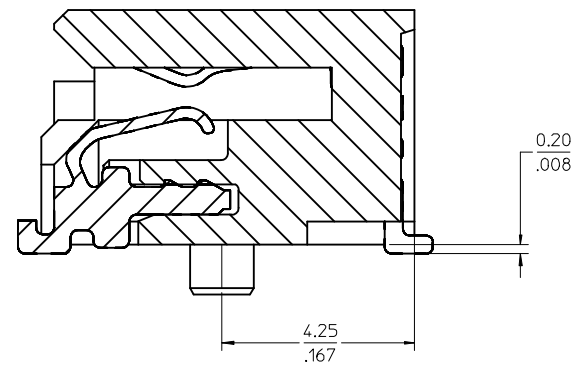
NOTES

- MATERIAL:**
HOUSING - HIGH TEMPERATURE THERMOPLASTIC GLASS FILLED, UL 94V-0, BLACK
TERMINALS - COPPER ALLOY
- PLATING:**
CONTACT AREA - 0.38 μm MIN GOLD OVER 2.54 μm MIN NICKEL
SOLDER FOOT AREA - 2.54 - 5.09 μm TIN OVER 2.54 μm MIN NICKEL.
- PLATING:**
CONTACT AREA - 0.76 μm MIN GOLD OVER 2.54 μm NICKEL
SOLDER AREA - 2.54 -5.09 μm TIN OVER 2.54 μm MIN NICKEL
- PLATING:**
CONTACT AREA - 0.76 μm MIN GOLD OVER 2.54 μm NICKEL, LUBRICATED
SOLDER AREA: GOLD FLASH OVER 2.54 μm MIN NICKEL.
- PLATING:**
CONTACT AREA - 0.76 μm MIN GOLD OVER 2.54 μm NICKEL,
SOLDER AREA: GOLD FLASH OVER 2.54 μm MIN NICKEL.
- PLATING:**
CONTACT AREA - 0.38 μm MIN GOLD OVER 2.54 μm NICKEL,
SOLDER AREA: GOLD FLASH OVER 2.54 μm MIN NICKEL.
- TERMINAL SOLDER FEET TO BE COPLANAR WITHIN 0.10/.004 FOR 20, 30 AND 40 CIRCUIT CONNECTORS
TERMINAL SOLDER FEET TO BE COPLANAR WITHIN 0.15/.006 FOR 70 CIRCUIT CONNECTOR
- * CONTACT PLANT FOR MORE INFORMATION
- DATE CODE: 4 DIGIT (3 DIGIT DATE, 1 DIGIT YEAR)
- CIRCUIT 1 IDENTIFIER LOCATED ON ALL PART NUMBERS

ADD -0041 EC NO: UCP2009-1455 DRWN:MS BARRA 2009/01/15 CHKD:BSMART 2009/01/15 APPR:SMILLER 2009/01/16	QUALITY SYMBOLS	GENERAL TOLERANCES (UNLESS SPECIFIED)	DIMENSION STYLE	SCALE	DESIGN UNITS	THIRD ANGLE PROJECTION	
	▽=0 ▽=0	mm INCH	MM/IN	1:1	METRIC		
		4 PLACES ± --- ± --- 3 PLACES ± --- ± --- 2 PLACES ± 0.13 ± .005 1 PLACE ± 0.25 ± .010	DRAWN BY DATE HAVERY 00/04/06 CHECKED BY DATE KSWEENEY 00/04/06 APPROVED BY DATE MBANAKIS 00/04/06	TITLE	SALES ASSEMBLY Z AXIS PLUGGABLE PCB CONNECTOR		
		ANGULAR ±1/2°	MATERIAL NO. SEE TABLE	DOCUMENT NO. SD-74441-001	MOLEX INCORPORATED		
	DRAFT WHERE APPLICABLE MUST REMAIN WITHIN DIMENSIONS	SIZE C	THIS DRAWING CONTAINS INFORMATION THAT IS PROPRIETARY TO MOLEX INCORPORATED AND SHOULD NOT BE USED WITHOUT WRITTEN PERMISSION				
						SHEET NO. 1 OF 7	

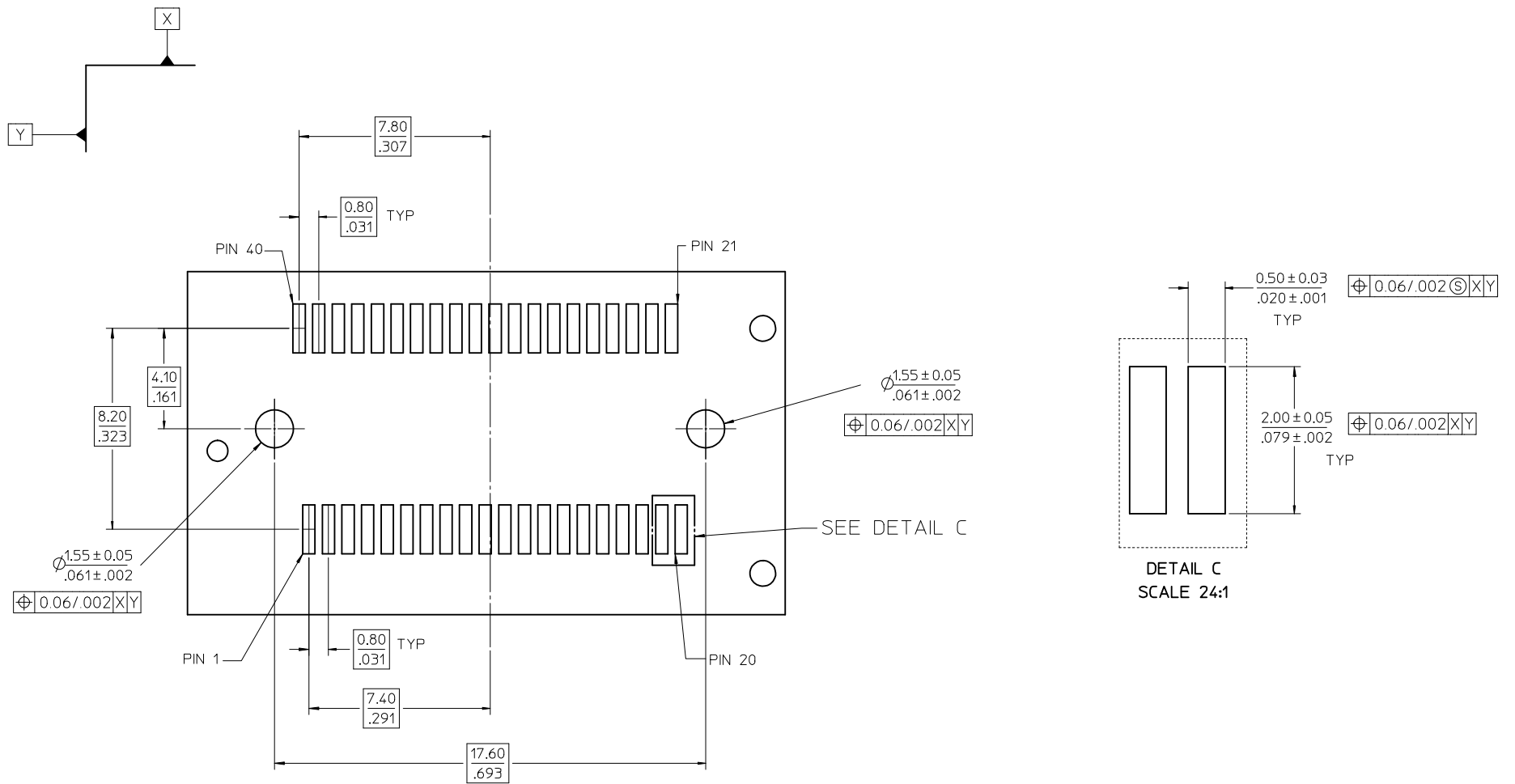


SECTION A1-A1
SCALE 12:1



SECTION B1-B1
SCALE 12:1

SEE SHEET 1 EC NO: UCP2009-1455 DRWN:MS BARRA 2009/01/15 CHKD:BSMART 2009/01/15 APPR:SMILLER 2009/01/16	QUALITY SYMBOLS ▽=0 ▽=0	GENERAL TOLERANCES (UNLESS SPECIFIED)		DIMENSION STYLE MM/IN		SCALE 6:1	DESIGN UNITS METRIC	THIRD ANGLE PROJECTION		
		4 PLACES ± --- ± ---	3 PLACES ± --- ± ---	2 PLACES ± 0.13 ± .005	1 PLACE ± 0.25 ± .010	DRAWN BY HAVERY	DATE 00/04/06	SALES ASSEMBLY Z AXIS PLUGGABLE PCB CONNECTOR		
		ANGULAR ± 1/2°				CHECKED BY KSWEENEY	DATE 00/04/06			
		DRAFT WHERE APPLICABLE MUST REMAIN WITHIN DIMENSIONS				APPROVED BY MBANAKIS	DATE 00/04/06	MOLEX INCORPORATED		SHEET NO. 2 OF 7



40 CIRCUIT MOTHER BOARD
RECOMMENDED PCB LAYOUT

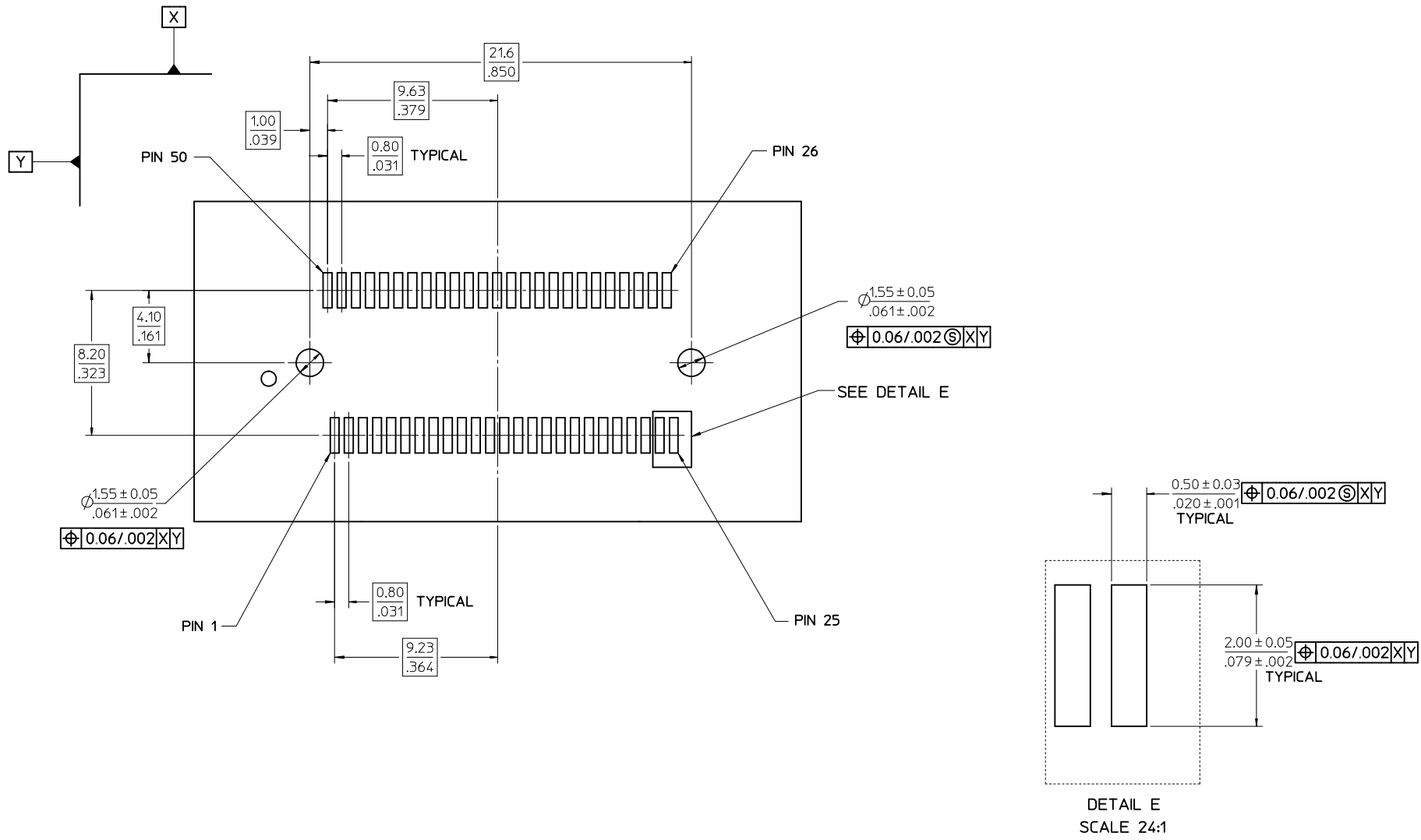
SEE SHEET 1	EC NO: UCP2009-1455	2009/01/15
	DRWN:MSI BARRA	2009/01/15
	CHKD:BSMART	2009/01/15
	APPR:SMILLER	2009/01/16
REV	DESCRIPTION	

QUALITY SYMBOLS	$\nabla=0$
	$\nabla=0$

GENERAL TOLERANCES (UNLESS SPECIFIED)	
	mm INCH
4 PLACES	± .005 ± .002
3 PLACES	± .005 ± .002
2 PLACES	± .013 ± .005
1 PLACE	± .025 ± .010
ANGULAR ± 1/2°	
DRAFT WHERE APPLICABLE MUST REMAIN WITHIN DIMENSIONS	

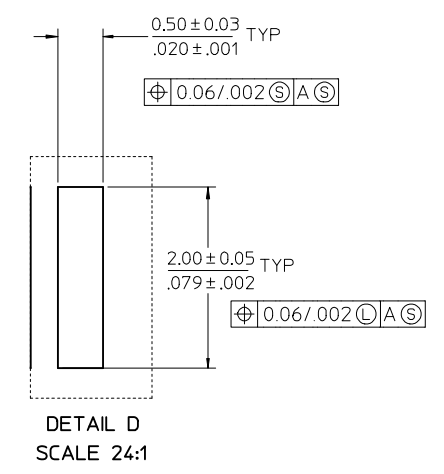
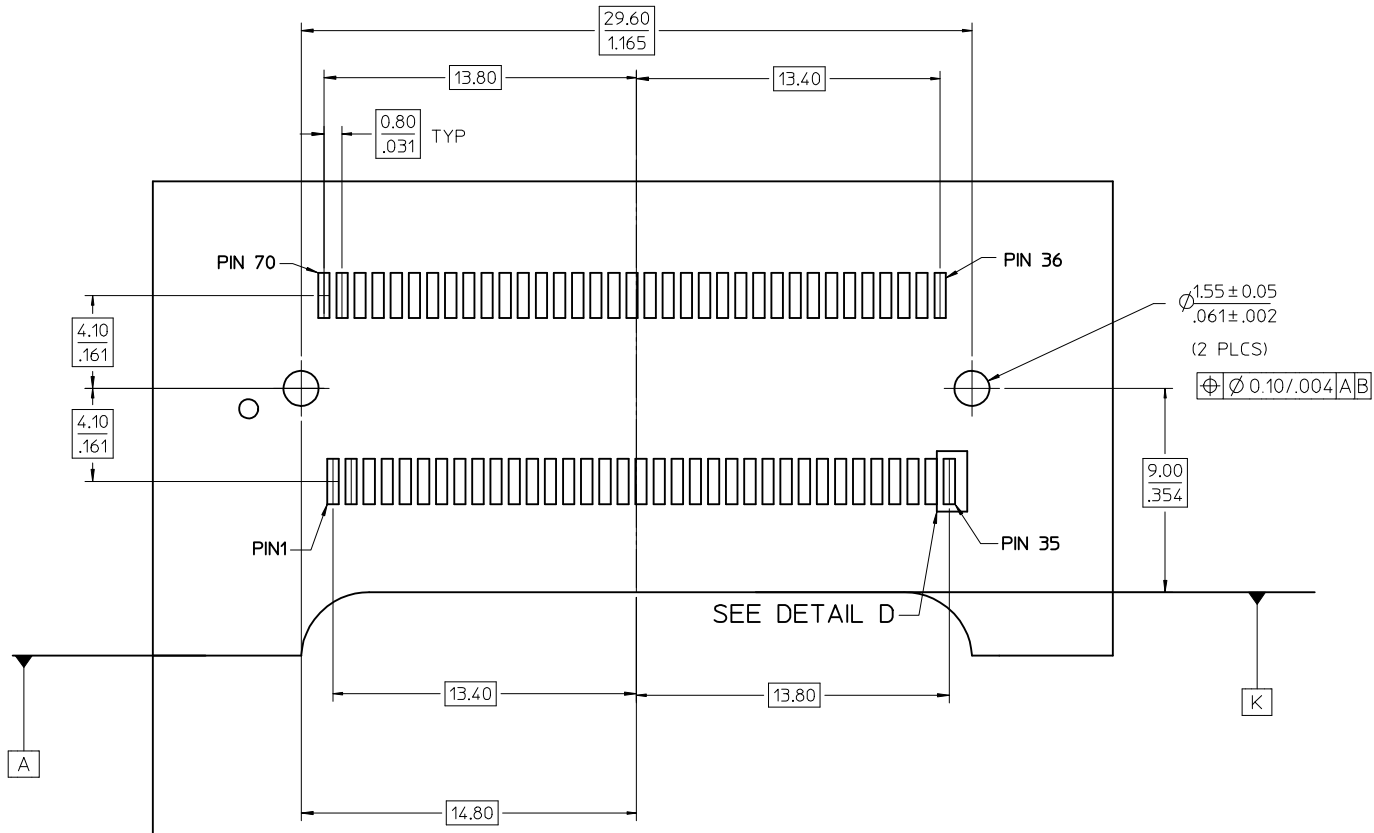
DIMENSION STYLE		MM/IN
DRAWN BY	DATE	
CHECKED BY	DATE	
APPROVED BY	DATE	
MATERIAL NO.		
SIZE	SEE TABLE	
THIS DRAWING CONTAINS INFORMATION THAT IS PROPRIETARY TO MOLEX INCORPORATED AND SHOULD NOT BE USED WITHOUT WRITTEN PERMISSION		

SCALE	6:1	DESIGN UNITS	METRIC	THIRD ANGLE PROJECTION
TITLE				
SALES ASSEMBLY Z AXIS PLUGGABLE PCB CONNECTOR				
MOLEX MOLEX INCORPORATED			SHEET NO.	
DOCUMENT NO.			5 OF 7	
SD-74441-001				



50 CIRCUIT MOTHER BOARD
RECOMMENDED PCB LAYOUT

SEE SHEET 1 EC NO: UCP2009-1455 DRAWN BY: IBARRA 2009/01/15 CHECKED BY: SMART 2009/01/15 APPR: MILLER 2009/01/16	QUALITY SYMBOLS	GENERAL TOLERANCES (UNLESS SPECIFIED)	DIMENSION STYLE	SCALE	DESIGN UNITS	THIRD ANGLE PROJECTION
	▼=0 ▽=0	mm INCH 4 PLACES ± --- ± --- 3 PLACES ± --- ± --- 2 PLACES ± 0.13 ± .005 1 PLACE ± 0.25 ± .010 ANGULAR ± 1/2°	MM/IN	6:1	METRIC	
		DRAFT WHERE APPLICABLE MUST REMAIN WITHIN DIMENSIONS	DRAWN BY: HAVERY DATE: 00/04/06 CHECKED BY: KSWEENEY DATE: 00/04/06 APPROVED BY: MBANAKIS DATE: 00/04/06	TITLE	SALES ASSEMBLY Z AXIS PLUGGABLE PCB CONNECTOR	
			MATERIAL NO. SIZE C	SEE TABLE THIS DRAWING CONTAINS INFORMATION THAT IS PROPRIETARY TO MOLEX INCORPORATED AND SHOULD NOT BE USED WITHOUT WRITTEN PERMISSION	DOCUMENT NO. SD-74441-001	SHEET NO. 6 OF 7



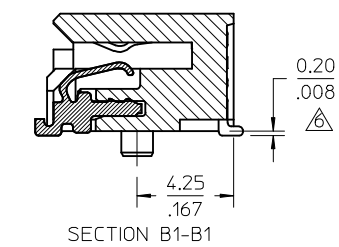
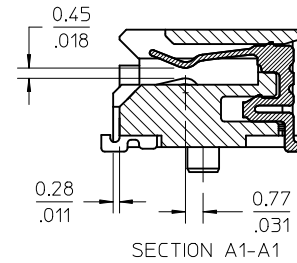
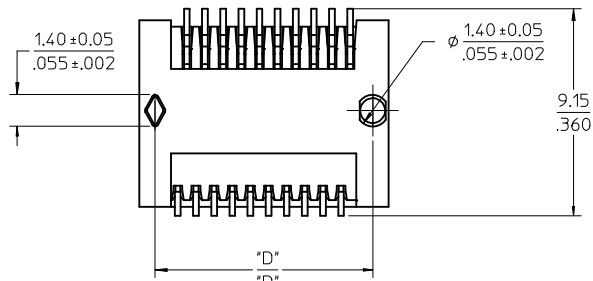
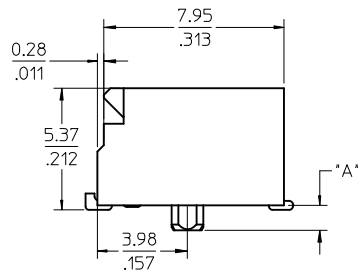
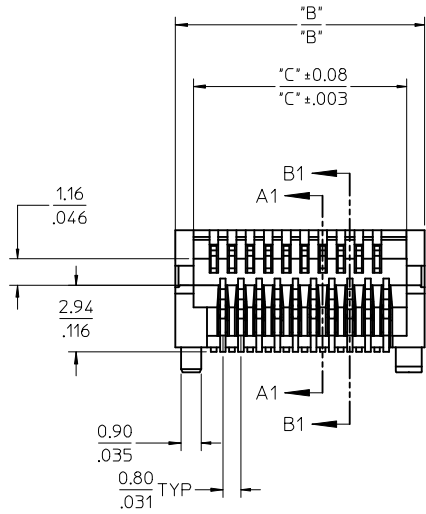
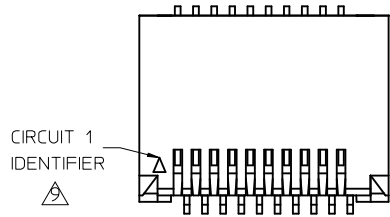
70 CIRCUIT MOTHER BOARD RECOMMENDED PCB LAYOUT

SEE SHEET 1 EC NO: UCP2009-1455 DRAWN BY: BARRA 2009/01/15 CHKD BY: SMART 2009/01/15 APPR: MILLER 2009/01/16	QUALITY SYMBOLS ▽=0 ▽=0	GENERAL TOLERANCES (UNLESS SPECIFIED)		DIMENSION STYLE MM/IN		SCALE 6:1	DESIGN UNITS METRIC	THIRD ANGLE PROJECTION																	
		<table border="1"> <thead> <tr> <th></th> <th>mm</th> <th>INCH</th> </tr> </thead> <tbody> <tr> <td>4 PLACES</td> <td>± .---</td> <td>± .---</td> </tr> <tr> <td>3 PLACES</td> <td>± .---</td> <td>± .---</td> </tr> <tr> <td>2 PLACES</td> <td>± 0.13</td> <td>± .005</td> </tr> <tr> <td>1 PLACE</td> <td>± 0.25</td> <td>± .010</td> </tr> </tbody> </table>			mm	INCH	4 PLACES	± .---	± .---	3 PLACES	± .---	± .---	2 PLACES	± 0.13	± .005	1 PLACE	± 0.25	± .010	DRAWN BY: HAVERY DATE: 00/04/06 CHECKED BY: KSWEENEY DATE: 00/04/06 APPROVED BY: MBANAKIS DATE: 00/04/06		TITLE: SALES ASSEMBLY Z AXIS PLUGGABLE PCB CONNECTOR				
			mm	INCH																					
		4 PLACES	± .---	± .---																					
3 PLACES	± .---	± .---																							
2 PLACES	± 0.13	± .005																							
1 PLACE	± 0.25	± .010																							
ANGULAR ±1/2° DRAFT WHERE APPLICABLE MUST REMAIN WITHIN DIMENSIONS		SEE TABLE		MOLEX INCORPORATED DOCUMENT NO. SD-74441-001 SHEET NO. 7 OF 7																					
THIS DRAWING CONTAINS INFORMATION THAT IS PROPRIETARY TO MOLEX INCORPORATED AND SHOULD NOT BE USED WITHOUT WRITTEN PERMISSION																									

CKT SIZE	PART NUMBER	DESCRIPTION	"A"	"B"	"C"	"D"
20	74441-9001	PLATED PER NOTE 2	1.10/.043	11.00/.433	9.40/.378	9.60/.378
20	74441-9010	PLATED PER NOTE 3	1.10/.043	11.00/.433	9.40/.378	9.60/.378
30	74441-9007	PLATED PER NOTE 2	1.10/.043	15.00/.591	13.40/.528	13.60/.535
40	74441-9005	PLATED PER NOTE 2	1.10/.043	19.00/.748	17.40/.685	17.60/.693
70	74441-9003	PLATED PER NOTE 2	1.10/.043	31.00/1.220	29.40/1.517	29.60/1.165

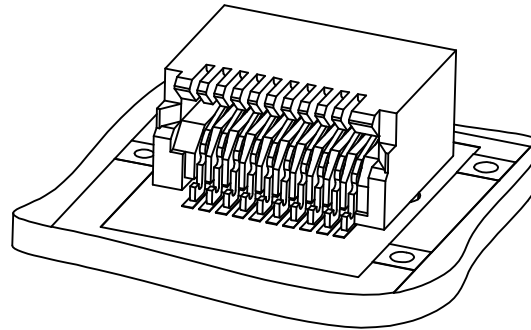
NOTES

- MATERIAL:
HOUSING - HIGH TEMPERATURE THERMOPLASTIC GLASS FILLED, UL 94V-0, BLACK
TERMINALS - COPPER ALLOY
- PLATING:
CONTACT AREA - 0.38 μm MIN GOLD OVER 2.54 μm MIN NICKEL
SOLDER FOOT AREA - 2.54 - 5.09 μm TIN OVER 2.54 μm MIN NICKEL.
- PLATING:
CONTACT AREA - 0.76 μm MIN GOLD OVER 2.54 μm NICKEL
SOLDER AREA - 2.54 - 5.09 μm TIN OVER 2.54 μm MIN NICKEL
- PLATING:
CONTACT AREA - 0.76 μm MIN GOLD OVER 2.54 μm NICKEL, LUBRICATED
SOLDER AREA: GOLD FLASH OVER 2.54 μm MIN NICKEL.
- PLATING:
CONTACT AREA - 0.76 μm MIN GOLD OVER 2.54 μm NICKEL,
SOLDER AREA: GOLD FLASH OVER 2.54 μm MIN NICKEL.
- TERMINAL SOLDER FEET TO BE COPLANAR WITHIN 0.10/.004 FOR 20, 30 AND 40 CIRCUIT CONNECTORS
TERMINAL SOLDER FEET TO BE COPLANAR WITHIN 0.15/.006 FOR 70 CIRCUIT CONNECTOR
- * CONTACT PLANT FOR MORE INFORMATION
- DATE CODE: 4 DIGIT (3 DIGIT DATE, 1 DIGIT YEAR)
- CIRCUIT 1 IDENTIFIER LOCATED ON ALL PART NUMBERS



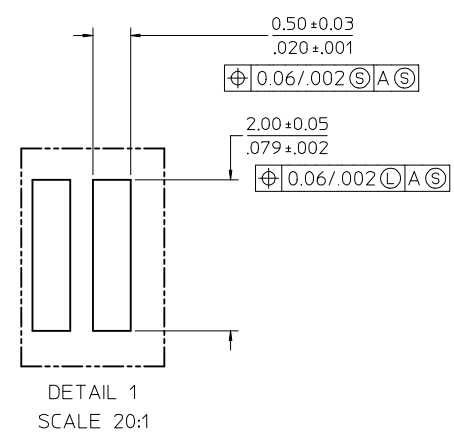
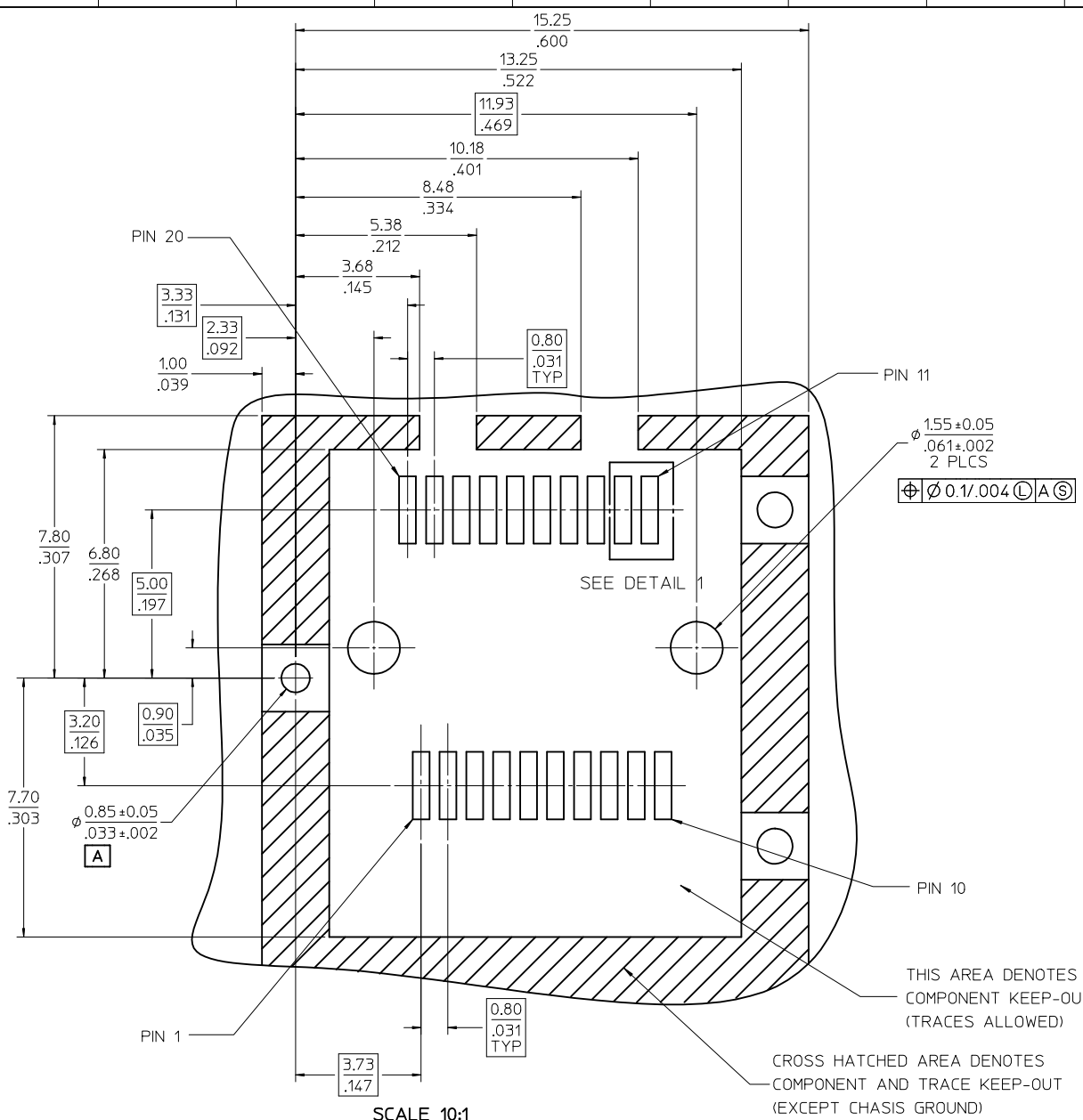
INITIAL RELEASE EC NO: UCP2010-0714 DRWN:MS IBARRA 2009/09/16 CHKD:BBARKER 2009/09/24 APPR:SMILLER 2009/09/24	DESCRIPTION REV	QUALITY SYMBOLS	GENERAL TOLERANCES (UNLESS SPECIFIED)	DIMENSION STYLE MM/IN	SCALE 6:1	DESIGN UNITS METRIC	THIRD ANGLE PROJECTION
		▽=0 ▽=0 ▽=0	mm INCH 4 PLACES ± --- ± --- 3 PLACES ± --- ± --- 2 PLACES ± --- ± --- 1 PLACE ± --- ± --- ANGULAR ± 1/2°	DRAWN BY DATE MS IBARRA 2009/09/16 CHECKED BY DATE BBARKER 2009/09/16 APPROVED BY DATE SMILLER 2009/09/16	TITLE SALES ASSEMBLY- LEADFREE Z AXIS PLUGGABLE PCB CONNECTOR		
A		DRAFT WHERE APPLICABLE MUST REMAIN WITHIN DIMENSIONS	SEE TABLE	MATERIAL NO. DOCUMENT NO.	MOLEX INCORPORATED		SHEET NO. 1 OF 6
THIS DRAWING CONTAINS INFORMATION THAT IS PROPRIETARY TO MOLEX INCORPORATED AND SHOULD NOT BE USED WITHOUT WRITTEN PERMISSION							

SALES ASSEMBLY DRAWINGS FOR SMALL FORM-FACTOR AND Z AXIS PLUGGABLE CONNECTORS



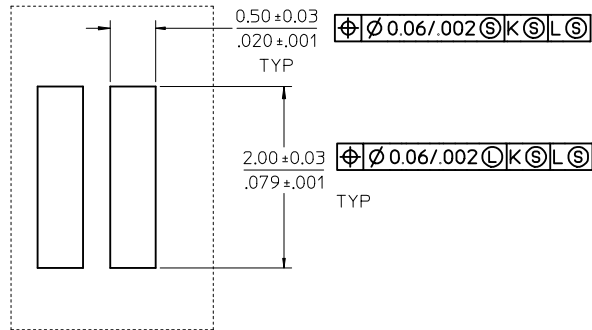
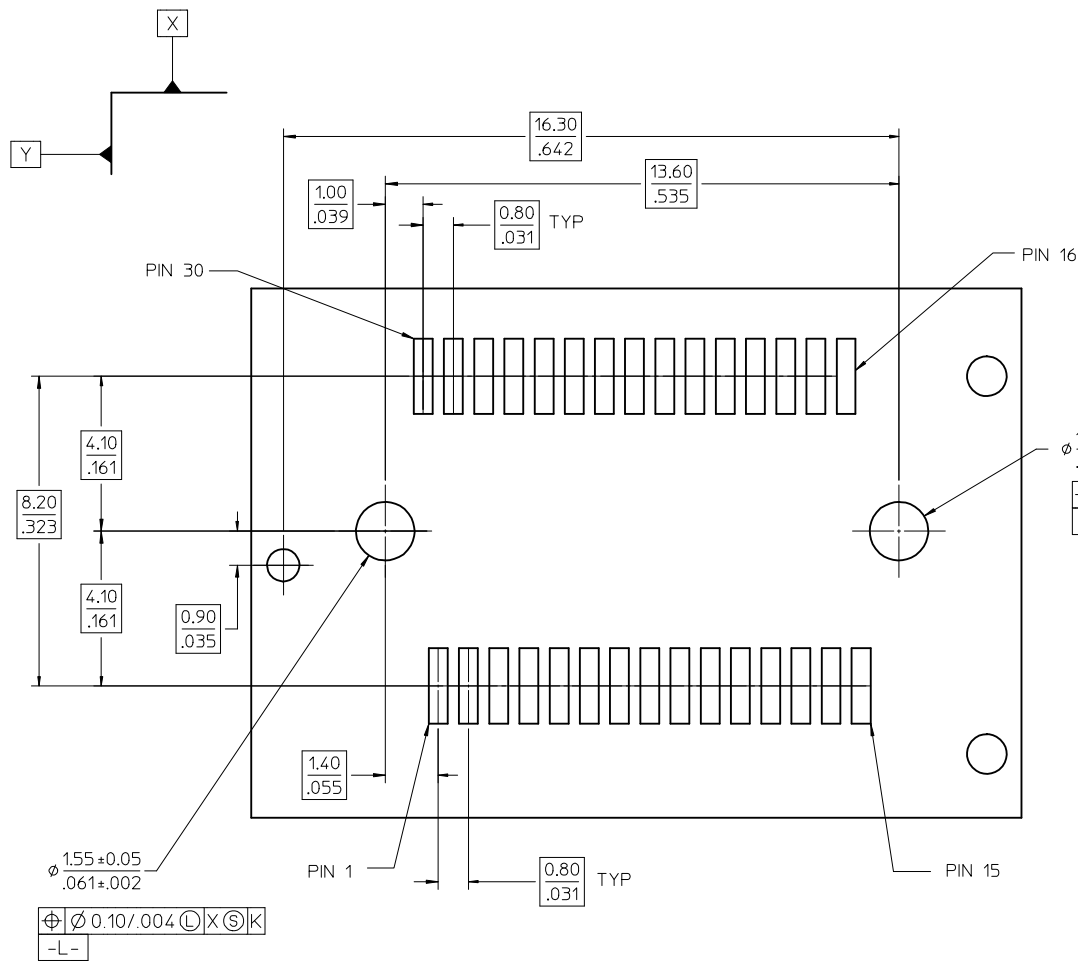
CIRCUIT SIZE	MSA	CONNECTOR DRAWING	CIRCUIT BOARD DRAWING
20	SFP	PAGE 2	PAGE 3
30	XFP	PAGE 2	PAGE 4
40		PAGE 2	PAGE 5
70	XENPAK XPAK X2	PAGE 2	PAGE 6

INITIAL RELEASE EC NO: UCP2010-0714 DRW:MSIBARRA 2009/09/16 CHKD:BBARKER 2009/09/24 APPR:SMILLER 2009/09/24	DESCRIPTION REV: A	QUALITY SYMBOLS	GENERAL TOLERANCES (UNLESS SPECIFIED)	DIMENSION STYLE	SCALE	DESIGN UNITS	THIRD ANGLE PROJECTION	
		▽=0	mm INCH	MM/IN	1:1	METRIC	☉	
		▽=0	4 PLACES ± --- ± ---	DRAWN BY DATE	TITLE	SALES ASSEMBLY- LEADFREE Z AXIS PLUGGABLE PCB CONNECTOR		
		▽=0	3 PLACES ± --- ± ---	MSIBARRA 2009/09/16	CHECKED BY DATE			
		2 PLACES ± --- ± ---	BBARKER 2009/09/16	APPROVED BY DATE	MOLEX INCORPORATED DOCUMENT NO. SD-74441-004 SHEET NO. 2 OF 6			
		1 PLACE ± --- ± ---	SMILLER 2009/09/16	MATERIAL NO.				
DRAFT WHERE APPLICABLE MUST REMAIN WITHIN DIMENSIONS			ANGULAR ±1/2°	SEE TABLE	THIS DRAWING CONTAINS INFORMATION THAT IS PROPRIETARY TO MOLEX INCORPORATED AND SHOULD NOT BE USED WITHOUT WRITTEN PERMISSION			



20 CIRCUIT MOTHER BOARD
RECOMMENDED PCB LAYOUT

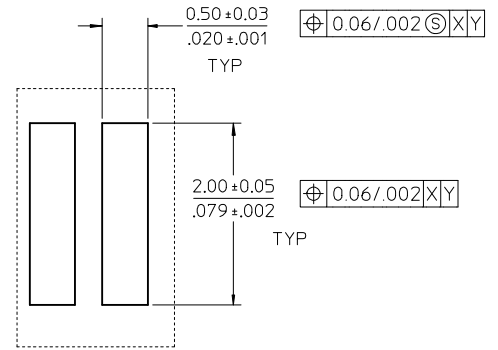
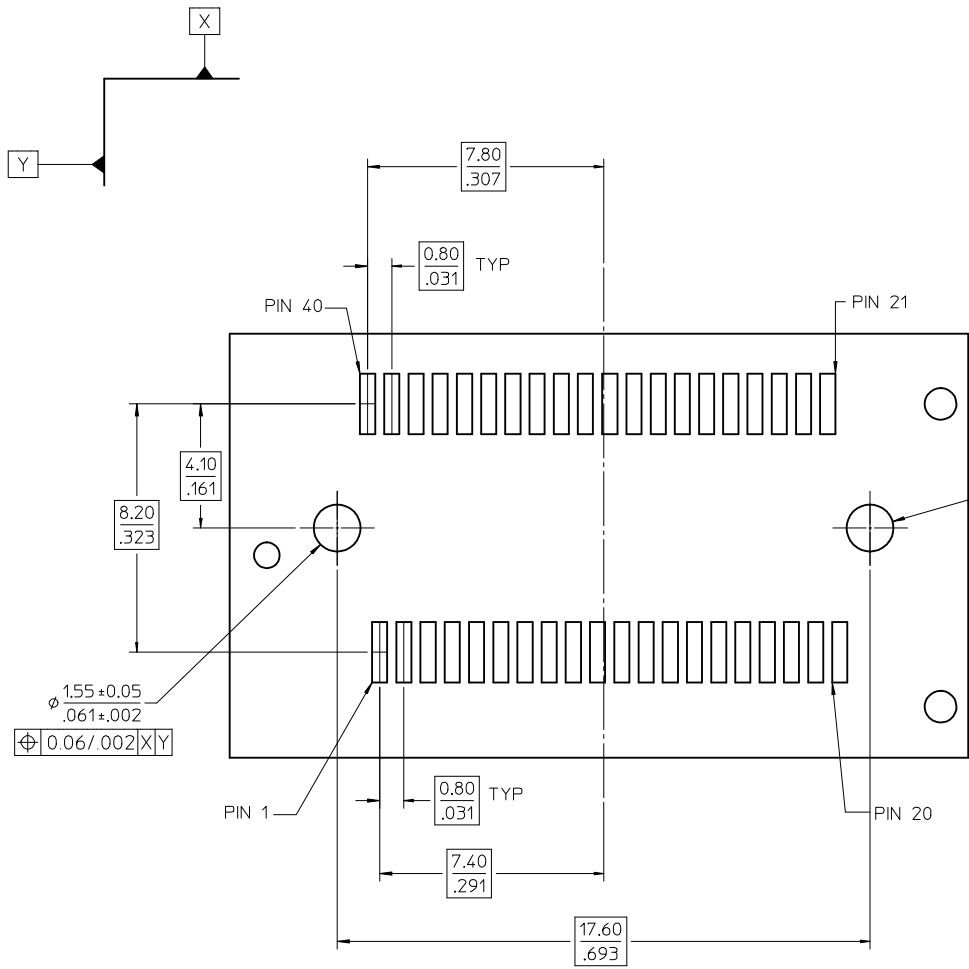
INITIAL RELEASE EC NO: UCP2010-0714 DRW:MSI BARRA 2009/09/16 CHKD:BBARKER 2009/09/16 APPR:SMILLER 2009/09/16	QUALITY SYMBOLS ▽=0 ▽=0 ▽=0	GENERAL TOLERANCES (UNLESS SPECIFIED)		DIMENSION STYLE	SCALE	DESIGN UNITS	THIRD ANGLE PROJECTION	
				MM/IN	8:1	METRIC		
				DRAWN BY	DATE	TITLE		
				CHECKED BY	DATE	SALES ASSEMBLY- LEADFREE Z AXIS PLUGGABLE PCB CONNECTOR		
REV: A	DESCRIPTION			APPROVED BY	DATE	MOLEX INCORPORATED		
				SMILLER	2009/09/16	DOCUMENT NO. SD-74441-004		
		DRAFT WHERE APPLICABLE MUST REMAIN WITHIN DIMENSIONS		SEE TABLE	SHEET NO. 3 OF 6			
				THIS DRAWING CONTAINS INFORMATION THAT IS PROPRIETARY TO MOLEX INCORPORATED AND SHOULD NOT BE USED WITHOUT WRITTEN PERMISSION				



DETAIL B
SCALE 24:1

30 CIRCUIT MOTHER BOARD
RECOMMENDED PCB LAYOUT

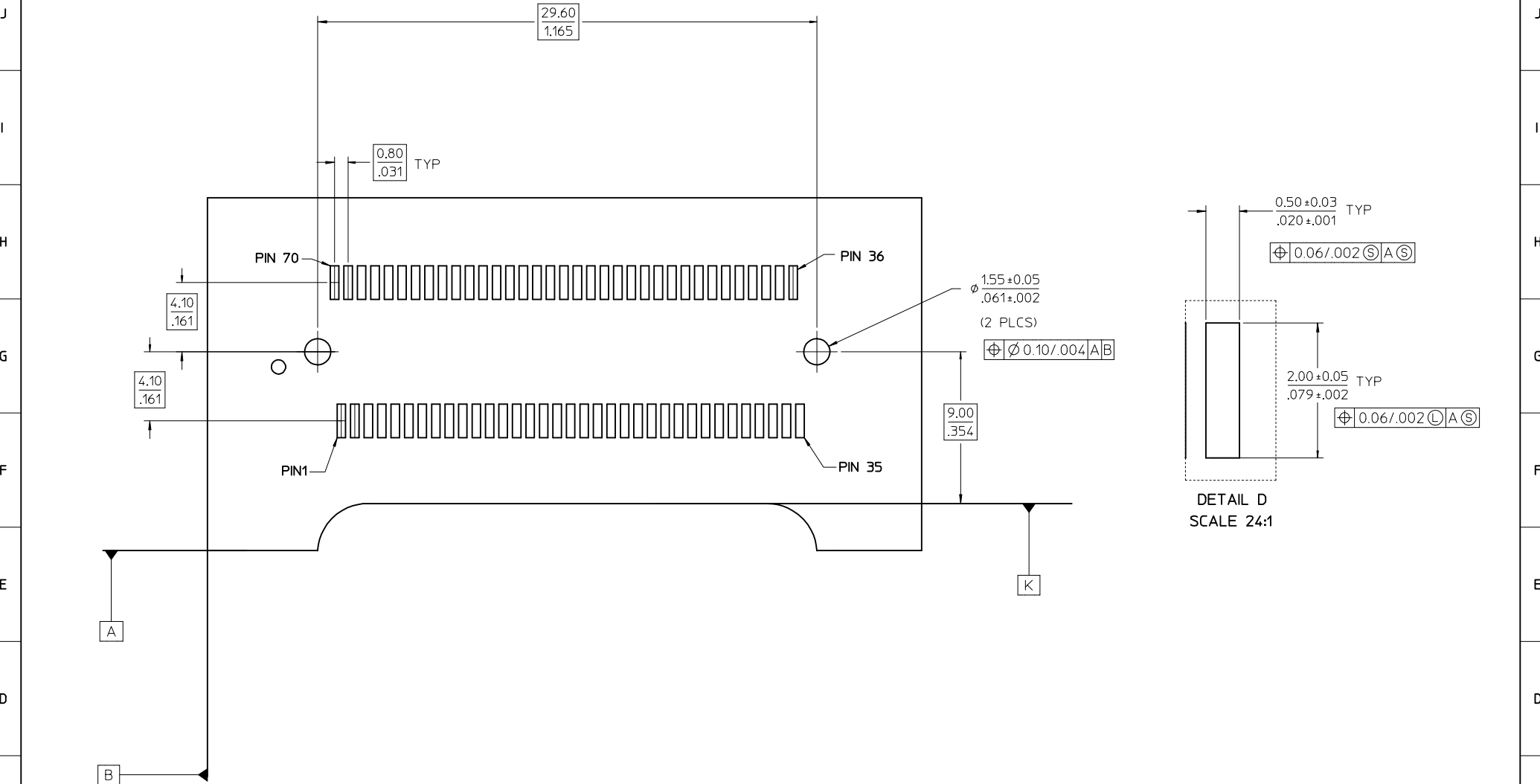
INITIAL RELEASE EC NO: UCP2010-0714 DRW:MS IBARRA 2009/09/16 CHKD:BBARKER 2009/09/24 APPR:SMILLER 2009/09/24	QUALITY SYMBOLS ▽=0 ▽=0 ▽=0	GENERAL TOLERANCES (UNLESS SPECIFIED)		DIMENSION STYLE MM/IN	SCALE 6:1	DESIGN UNITS METRIC	THIRD ANGLE PROJECTION		
		4 PLACES ± --- ± ---	3 PLACES ± --- ± ---	2 PLACES ± --- ± ---	1 PLACE ± --- ± ---	DRAWN BY MS IBARRA	DATE 2009/09/16	TITLE SALES ASSEMBLY- LEADFREE Z AXIS PLUGGABLE PCB CONNECTOR	
		ANGULAR ±1/2°				CHECKED BY BBARKER	DATE 2009/09/16	MOLEX MOLEX INCORPORATED	
		DRAFT WHERE APPLICABLE MUST REMAIN WITHIN DIMENSIONS				APPROVED BY SMILLER	DATE 2009/09/16	MATERIAL NO. SEE TABLE	DOCUMENT NO. SD-74441-004
REV A	DESCRIPTION	SIZE C		THIS DRAWING CONTAINS INFORMATION THAT IS PROPRIETARY TO MOLEX INCORPORATED AND SHOULD NOT BE USED WITHOUT WRITTEN PERMISSION				SHEET NO. 4 OF 6	



DETAIL C
SCALE 24:1

40 CIRCUIT MOTHER BOARD
RECOMMENDED PCB LAYOUT

INITIAL RELEASE EC NO: UCP2010-0714 DRWN:MSIBARRA 2009/09/16 CHKD:BBARKER 2009/09/24 APPR:SMILLER 2009/09/24	QUALITY SYMBOLS ▽=0 ▽=0 ▽=0	GENERAL TOLERANCES (UNLESS SPECIFIED)		DIMENSION STYLE MM/IN	SCALE 6:1	DESIGN UNITS METRIC	THIRD ANGLE PROJECTION														
		<table border="1"> <tr> <th></th> <th>mm</th> <th>INCH</th> </tr> <tr> <td>4 PLACES</td> <td>± ---</td> <td>± ---</td> </tr> <tr> <td>3 PLACES</td> <td>± ---</td> <td>± ---</td> </tr> <tr> <td>2 PLACES</td> <td>± ---</td> <td>± ---</td> </tr> <tr> <td>1 PLACE</td> <td>± ---</td> <td>± ---</td> </tr> </table>		mm	INCH	4 PLACES	± ---	± ---	3 PLACES	± ---	± ---	2 PLACES	± ---	± ---	1 PLACE	± ---	± ---	DRAWN BY MSIBARRA	DATE 2009/09/16	TITLE SALES ASSEMBLY- LEADFREE Z AXIS PLUGGABLE PCB CONNECTOR	
			mm	INCH																	
		4 PLACES	± ---	± ---																	
3 PLACES	± ---	± ---																			
2 PLACES	± ---	± ---																			
1 PLACE	± ---	± ---																			
ANGULAR ±1/2°	CHECKED BY BBARKER	DATE 2009/09/16	APPROVED BY SMILLER		DATE 2009/09/16	molex MOLEX INCORPORATED															
DRAFT WHERE APPLICABLE MUST REMAIN WITHIN DIMENSIONS	MATERIAL NO. SEE TABLE	DOCUMENT NO. SD-74441-004	SHEET NO. 5 OF 6																		



INITIAL RELEASE EC NO: UCP2010-0714 DRW:MSI BARRA 2009/09/16 CHK:DBARKER 2009/09/24 APPR:SMILLER 2009/09/24	QUALITY SYMBOLS ▽=0 ▽=0 ▽=0	GENERAL TOLERANCES (UNLESS SPECIFIED)		DIMENSION STYLE MM/IN		SCALE 6:1	DESIGN UNITS METRIC	THIRD ANGLE PROJECTION		
		4 PLACES	± ---	± ---	DRAWN BY MSI BARRA	DATE 2009/09/16	TITLE SALES ASSEMBLY- LEADFREE Z AXIS PLUGGABLE PCB CONNECTOR			
		3 PLACES	± ---	± ---	CHECKED BY BBARKER	DATE 2009/09/16				
		2 PLACES	± ---	± ---	APPROVED BY SMILLER		DATE 2009/09/16	MOLEX INCORPORATED		SHEET NO. 6 OF 6
1 PLACE	± ---	± ---	MATERIAL NO. SEE TABLE		DOCUMENT NO. SD-74441-004					
ANGULAR ±1/2°			DRAFT WHERE APPLICABLE MUST REMAIN WITHIN DIMENSIONS			THIS DRAWING CONTAINS INFORMATION THAT IS PROPRIETARY TO MOLEX INCORPORATED AND SHOULD NOT BE USED WITHOUT WRITTEN PERMISSION				